

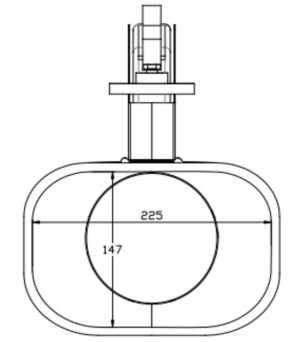
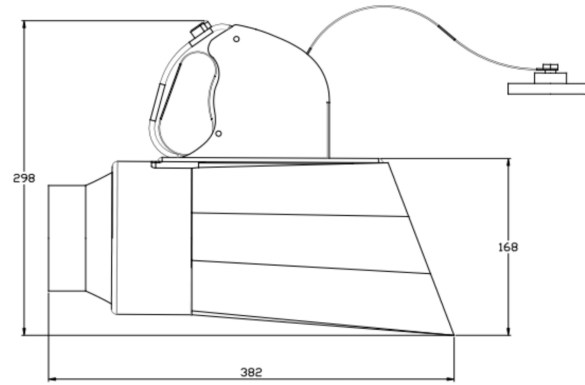
Nozzle TMS 225



**THE ONLY REAL
UNIVERSAL NOZZLE!**

The innovative exhaust nozzle TMS 225 was developed according to the “one fits all” concept and fits on all exhaust pipe shapes without any restrictions.

It is suitable for single, double, conventional and flushed-type exhaust pipes which are integrated in the rear bumper!



Made in Germany